

Care & Lubrication

Your new CatMaxx baitcast reel has been designed to provide years of dependable service. But like any other precision machine, periodic cleaning and maintenance are required for continued dependability.

Reels manufactured today require the use of both a lightweight oil and a grease to maintain maximum performance. The oil and grease should be used sparingly, as too much can have a negative impact on reel performance.

There are lightweight oils and greases specifically designed for use with fishing reels. The oil should be applied to all ball bearings and the spool shaft. The grease should be applied to the pinion gear, main gear, any bushings and the levelwind.

We do not recommend using a general multipurpose oil since many of these oils have properties that will actually attract dirt and dust to the internal parts. This may cause excessive wear reducing the life of the reel.

After each trip your reel should be checked for dirt or sand. If it has been exposed to saltwater use, the spool should be removed and the entire reel rinsed with fresh water. Dry with a soft cloth and lubricate the reel as described.

For professional cleaning and maintenance send your reels to:

Outdoor World Rod & Reel Repair
2300 E. Turner, Ste. M
Springfield, MO 65803
Phone (417) 873-5274
FAX (417) 973-5280

One-Year Limited Warranty

Bas Pro Shops will repair or replace any CatMaxx baitcast reel which proves to be defective in workmanship or materials within one year from the original date of purchase. **You must save your dated sales receipt for warranty validation.** This warranty gives you specific legal rights, and you may have other rights which vary from state-to-state.

For reels purchased through our catalogs or the Internet:

For replacement only: Return your reel (postage prepaid if sending by mail) to the Returns Center address listed on your receipt along with your dated sales receipt.

For reel repair only: Return your reel postage prepaid with a copy of your dated sales receipt as proof of purchase to Outdoor World Rod & Reel Repair at the address to the left.

For reels purchased through the Outdoor World/Sportsman's Warehouse retail locations:

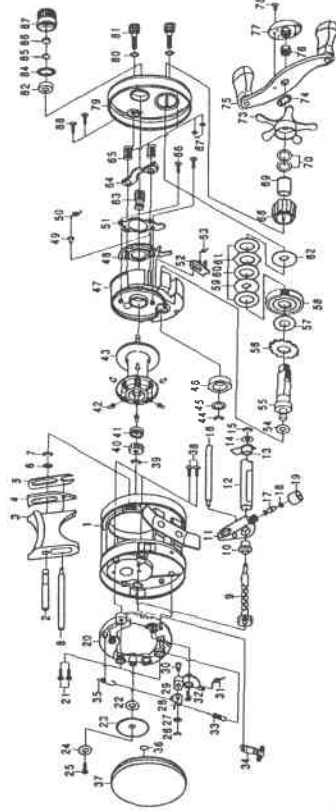
For replacement only: Return your reel (postage prepaid if sending by mail) to the store from which it was purchased along with your dated sales receipt.

For reel repairs only: Return your reel postage prepaid with a copy of your dated sales receipt as proof of purchase to Outdoor World Rod & Reel Repair at the address to the left.

This warranty does not cover lost parts, malfunctions or damage due to abuse, accidents, normal wear, or cleaning and re-lubrication required due to the owners failure to provide reasonable and necessary maintenance.

Repairs needed to your CatMaxx baitcast reel due to abnormal use, modification, or reels that are past the one-year warranty period are available for a reasonable charge providing these reels are returned postage prepaid to Outdoor World Rod & Reel Repair.

REEL DIAGRAM



REEL PARTS LIST

NO	PART NAME	NO	PART NAME	NO	PART NAME	NO	PART NAME
1	FRAME	23	IDLE GEAR	45	CRANK SHAFT WASHER	67	THUMB SCREW RING
2	CLUTCH BAR PIN	24	WASHER	46	CRANK SHAFT BUSH	68	ONE WAY BEARING
3	CLUTCH BAR	25	SCREW	47	SET PLATE	69	SLEEVE
4	WEAR PLATE-A	25	RETAINER (# 2)	48	CLUTCH CAM	70	DRAG SPRING WASHER
5	WEAR PLATE-B	27	WASHER	49	SPRING COLLAR	73	STAR DRAG
6	WASHER	28	CLIX CLAMP	50	CLUTCH CAM SPRING	74	FRICITION WASHER
7	RETAINER (# 2.5)	29	CLIX CAM	51	CAM PLATE	75	HANDLE ASS'Y
8	PILLAR-B	30	PIN	52	KICK LEVER	76	HANDLE NUT
9	NORM SHAFT	31	SPRING	53	KICK LEVER SPRING	77	HANDLE NUT CAP
10	NORM SHAFT BUSH-B	32	SCREW	54	WASHER	78	HANDLE NUT CAP SCREW
11	LEVEL WIND	33	COIL SPRING-A	55	CRANK SHAFT	79	RIGHT SIDE COVER
12	LEVEL WIND GUARD	34	CLIX LEVER	56	KICKING RATCHET	80	THUMB SCREW WASHER
13	NORM SHAFT BUSH-A	35	COIL SPRING-B	57	DRAG WASHER-A	81	THUMB SCREW
14	WASHER	36	SPACER	58	DRIVE GEAR	82	BUSHING
15	RETAINER (# 2.5)	37	LEFT SIDE COVER	59	KEY WASHER-B	84	O-RING
16	PILLAR-A	38	SCREW	60	DRAG WASHER-B	85	SPACER-B
17	LINE GUIDE PAWL	39	RETAINER	61	EARED WASHER	86	CUSHION WASHER
18	LINE GUIDE WASHER	40	GEAR	62	KEY WASHER-B	87	CAST CONTROL CAP
19	LEVEL WIND NUT	41	BALL BEARING	63	PINION GEAR	88	RIGHT SIDE COVER S/C
20	CLIX SET PLATE	42	BRAKE COLLAR	64	YOKE		
21	SCREW	43	SPOOL ASS'Y	65	YOKE SPRING		
22	WASHER	44	RATINER (# 3)	66	CAM PLATE SCREW		